

SCHULTE®

RDX-117 AVALANCHE

Snow Blower



- 1** A hydraulically operated rotating fan housing allows snow to be ejected out the left or right side of the fan housing. Delivering snow directly off the fan blades and out aids in moving heavy wet snow and is more efficient when using in open areas. The center chute can be used to cast snow directionally as needed in confined areas.
- 2** The Schulte's RDX-117 incorporates a 38" Five paddle open center cupped style fan which improves performance and is larger than most competitive designs on the market.
- 3** A 1000 RPM gear driven drive system is standard. The fan is held in place by a 2" tapered splined shaft. A size 8 Bondioli power shaft is included with shear pin protection to power the blower.
- 4** A Bondioli Italian made one piece gearbox drives this unit.
- 5** A heavily reinforced 23" bottom auger with formed struts ensures that hard chunks of snow and ice are fed into the fan with ease. This large open bottom auger also allows the snow blower to cut into hard pack snow where other snow blowers have difficulty.
- 6** A 300° rotating chute design includes a UHMW bearing area to reduce freeze up of the chute. The new double deflector design reduces blowback when the chute deflector is placed in the down position.
- 7** A hydraulic cylinder for adjusting the chute deflector is standard.
- 8** Shear bolt protection for the fan & cross auger.



Quality • Service • Value • Trust

GO NUMBER ONE . . . GO SCHULTE!

117" Wide 38" Five paddle Fan Snow Throwing Performance

A Patent pending drum rotation cylinder (3"x 24") rotates fan housing to eject snow out the left or right side or through the center chute

(Circular arrows show cylinder movement)

The RDX-117 drum is made of Hardox 450 which has a hardness of 450 BHN or 48 Rockwell C. This drum is very hard and is very resistant to abrasion from rocks, gravel and other debris. It will provide a long and trouble free service life.



Improved snow blowing

The RDX-117 Rotating drum allows snow to be ejected out left or right side or through center chute. A double chute deflector is standard and considerably reduces blow back of snow in comparison to single deflectors. The chute rotator is driven by a gear-on-gear system with a hydraulic motor to eliminate cables.

Three position adjustable stake arms on the blower make adjusting easy for various tractor 3pt hook-ups lengths

A large 2" tapered spline shaft on the fan allows for more trouble free operation than a shaft and keyway design



Side eject - left side

Auger struts are formed at 90 degree angles for added strength and to better feed the snow-blower's fan

The RDX-117 can be used with hydrostatic tractors with less horsepower because they have lower forward gears.

Italian designed and manufactured one piece gearbox

Three Gear Parallel Reducer Box input shaft can be relocated to accommodate non-conventional pto rotation

Reversible cutting blade

Size 8 Bondioli Driveline

Park stand



Side eject - right side



Quality • Service

Features



The heart of these Snow Blowers is the 5 paddle open center, cupped blade design fan that concentrates snow to the center & back of the fan resulting in improved performance.



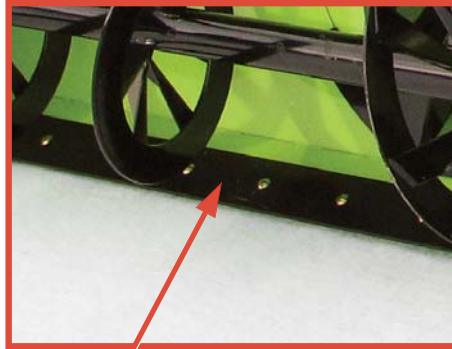
Open auger design with formed struts. The RDX-117 use a 23" bottom auger & 14" top auger. This type of design cuts into hard packed snow & feeds the fan with ease.



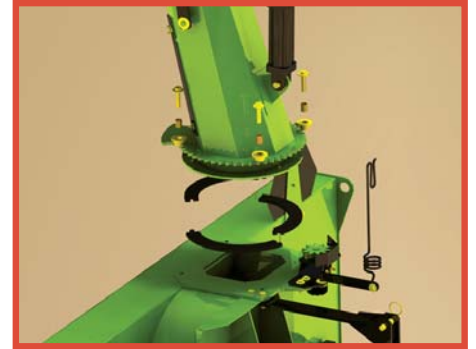
A double chute deflector with a standard 2" x 6" cylinder reduces blow back considerably in comparison to single deflectors.



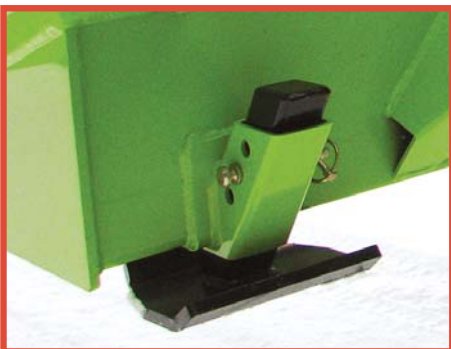
A gear driven 300 degree hydraulic chute rotator comes standard with a 7.3 cubic inch hydraulic motor.



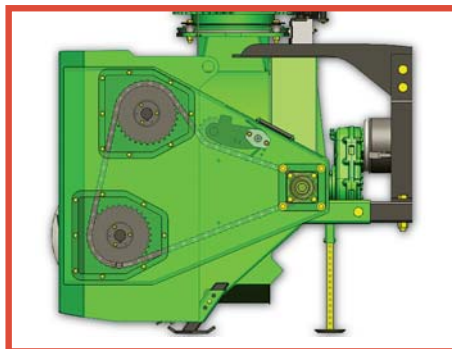
High grade steel bolt in replaceable cutting blade is standard and gives many years of trouble free cutting performance.



A high molecular UHMW bearing area keeps freeze ups to a minimum in the coldest weather conditions.



Adjustable replaceable skid shoes are set close to the cutting blade for better ground following. Gauge wheel with tapered roller bearings are optional for use on pavement or cement.



Drive chain, sprockets and tensioner shown in the enclosed chain case. The enclosed chain case eliminates snow build up on sprockets and chain extends life of the drive system.



Enclosed chain case with spring tension tightener for idler sprocket maintains constant tension on the auger drive chain & reduces chain wear and possible freeze ups.

Value • Trust

RDX-117 Series Specifications

SPECIFICATIONS

Cutting Width	117" (2.97m)
Tractor Horsepower	140 - 220 HP (104 - 164 KW)
Cutting Height	45 1/2" (1.15 m)
Overall Height	100" (2.54 m) (With HD Chute)
Auger Diameter - Bottom	23" (58.4cm)
Auger Diameter - Top	14" (35.5 cm)
Fan Diameter	38" (96.5 cm)
Fan Type	5 paddle
Fan Shaft Diameter	2" (5.1 cm)
Auger Drive Chain	#80
Weight	3085lbs (1400kg)
Adjust. Double Linked Chute Deflector	Standard
Hydraulic Chute Rotation Mechanism	Standard
Replaceable Blade	Standard
Adjustable Replaceable Skid Shoes	Standard
Hitch Size	Cat II & Cat III 3pt and quick hitch
PTO Speed	1000 RPM
Capacity - Dry Snow / Wet Snow	762 tons/hr / 2633 tons/hr

*On hydrostatically driven tractors, less HP is required than the 140-220HP recommended for conventional tractors.

RDX-117 OPTIONS

1. 1 3/8" 21 spline or 1 3/4" 20 spline size 8 Bondioli tractor shaft
2. Heavy duty chute with hydraulic cylinder
3. Truck loading chute with hydraulic cylinder
4. Gauge wheels w/tapered roller bearings (For paved or concrete use only)



2" tapered splined fan shaft is standard on the RDX-117. Shown in standard up position to work with 3pt tractor.



The reduction box can be rotated in the down position to work with the FM300 front mount frame.

SPECIFICATIONS

FM-300

Tractor horsepower, maximum	250 HP
Tractor PTO (1000 rpm preferred)	1000 RPM for SDX-117, RDX-117, RDX-102 & SDX-960 540 RPM for SDX-960 and RDX-102
Lift capacity	5000 lbs
Adjustability	Accommodates tractors between 151" and 211" measured from front mount plate to drawbar pin
Average ground clearance	13" depending on tractor installation
Average lift range	18"
Weight	1650 lbs



A perfect combination for Schulte's RDX-117 is the FM-300 front mount 3pt hitch frame.



Schulte Industries Ltd.,
P.O. Box 70, Englefeld, Saskatchewan, Canada S0K 1N0
Tel: (306) 287-3715 Fax: (306) 287-3355
E-Mail: info@schulte.ca
Visit our Web site at: www.schulte.ca

Schulte is a registered trademark of Alamo Group Inc.

Schulte Industries Ltd. reserves the right to change the design, specification of it's products without notice. Illustrations may include optional equipment and accessories, and may not include all standard equipment.



Sold By:



PRINTED IN CANADA

PREPARED by NELSON GRAPHIC DESIGN

201205